

# AIR / FUEL RATIO GAUGE

**SMOKE LENS SERIES** SUPER WHITE LED DISPLAY

## Warning

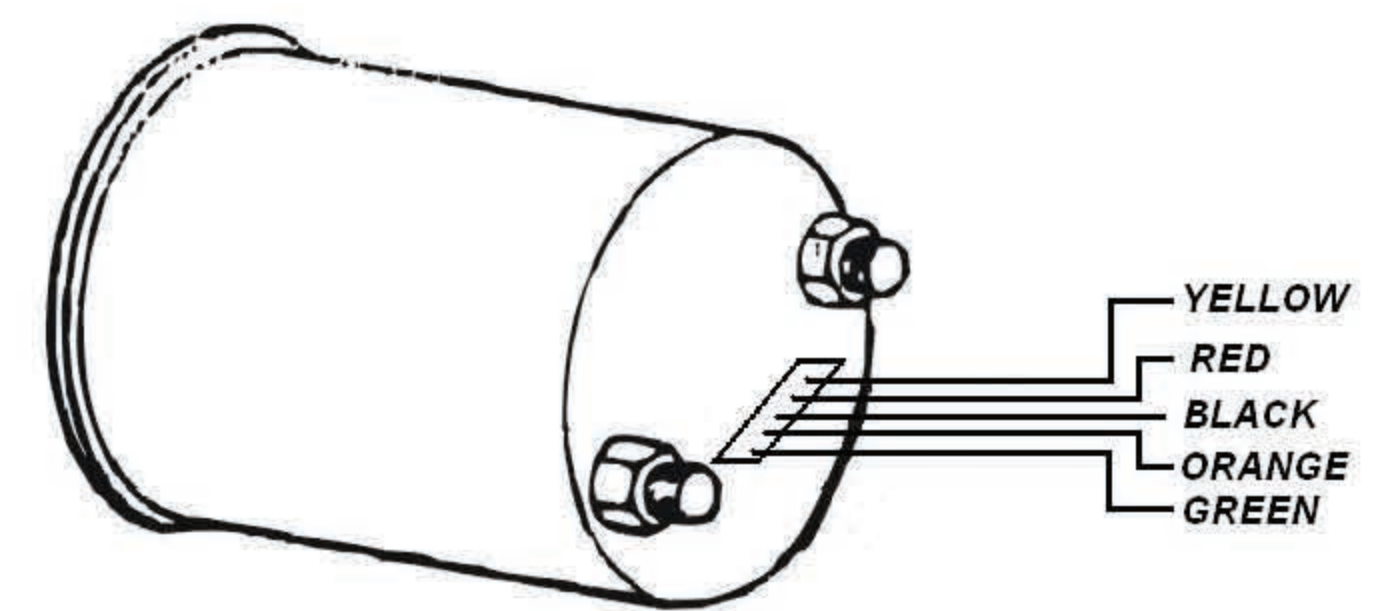
Fouling and/or permanent damage to the oxygen sensor over time will result if used with any of the following:

- Leaded gasoline and fuel additives containing lead
- 2 cycle gasoline (gas/oil mix)
- Diesel Fuel
- Nitromethane
- Excessively rich mixtures

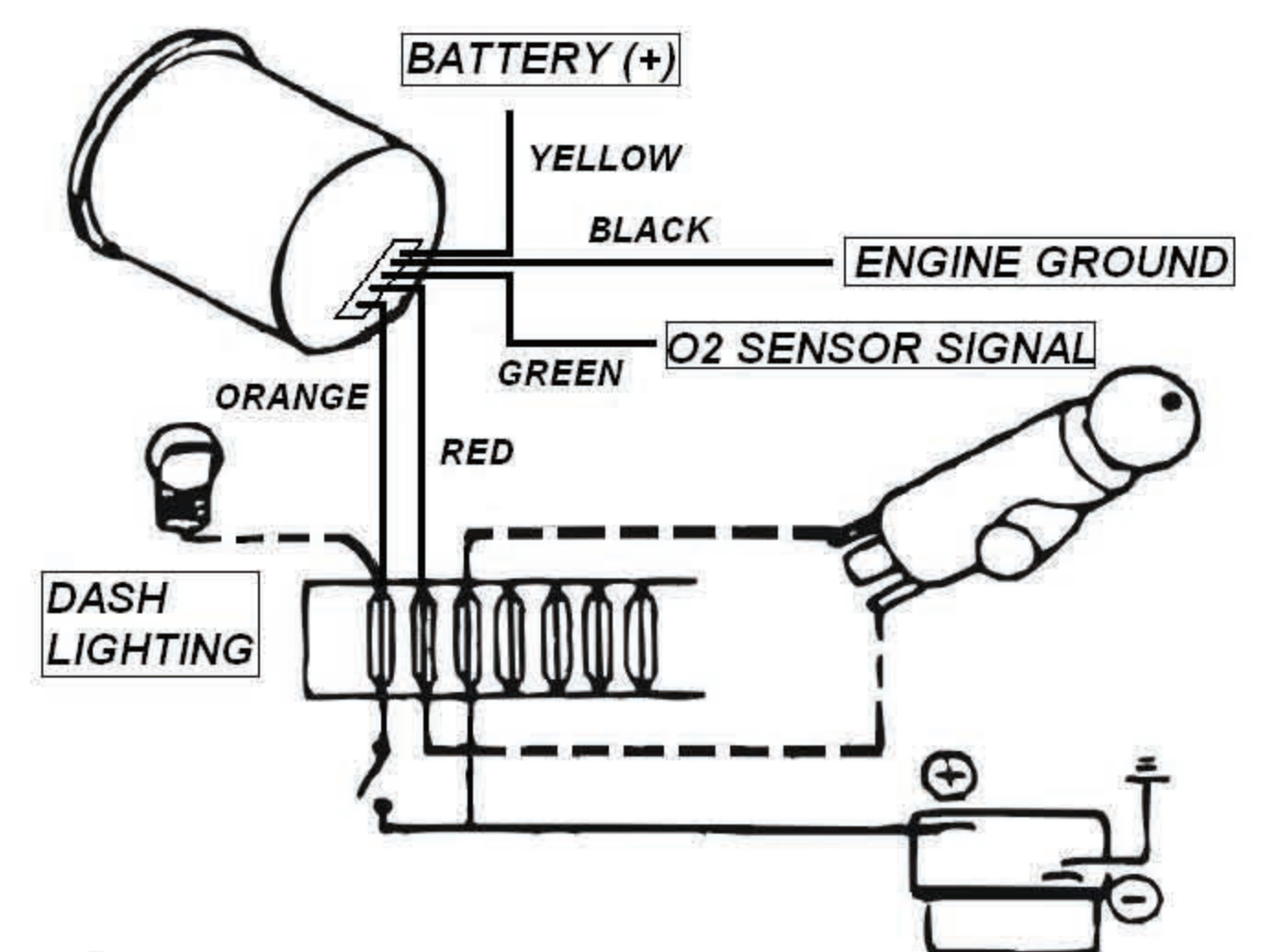
If the Air/Fuel Ratio Monitor responds sluggish, the oxygen sensor is probably partially fouled and should be replaced.

When the engine is at heavy load the monitor should indicate rich. At cruising load the monitor will appear to be bouncing back and forth between rich and lean. This is normal. The computer is constantly adjusting the air / fuel ratio for performance and low exhaust emissions. See back page for more detailed information.

<b>Lean Range</b>	(.050 to .249V)
<b>Optimal Range</b>	(.250 to .749V)
<b>Rich Range</b>	(.750 to 1.000V)



YELLOW - BATTERY (+)  
 RED - IGNITION SWITCH +12V  
 BLACK - BATTERY (-)  
 ORANGE - DIMMER / +12 VOLTS TO DIM  
 CONNECT TO HEADLIGHT TO ACTIVATE  
 GREEN - O2 SENSOR SIGNAL



## Oxygen Sensors

All oxygen sensors must be heated to at least 600 °F before an accurate signal is produced.

### WARNING

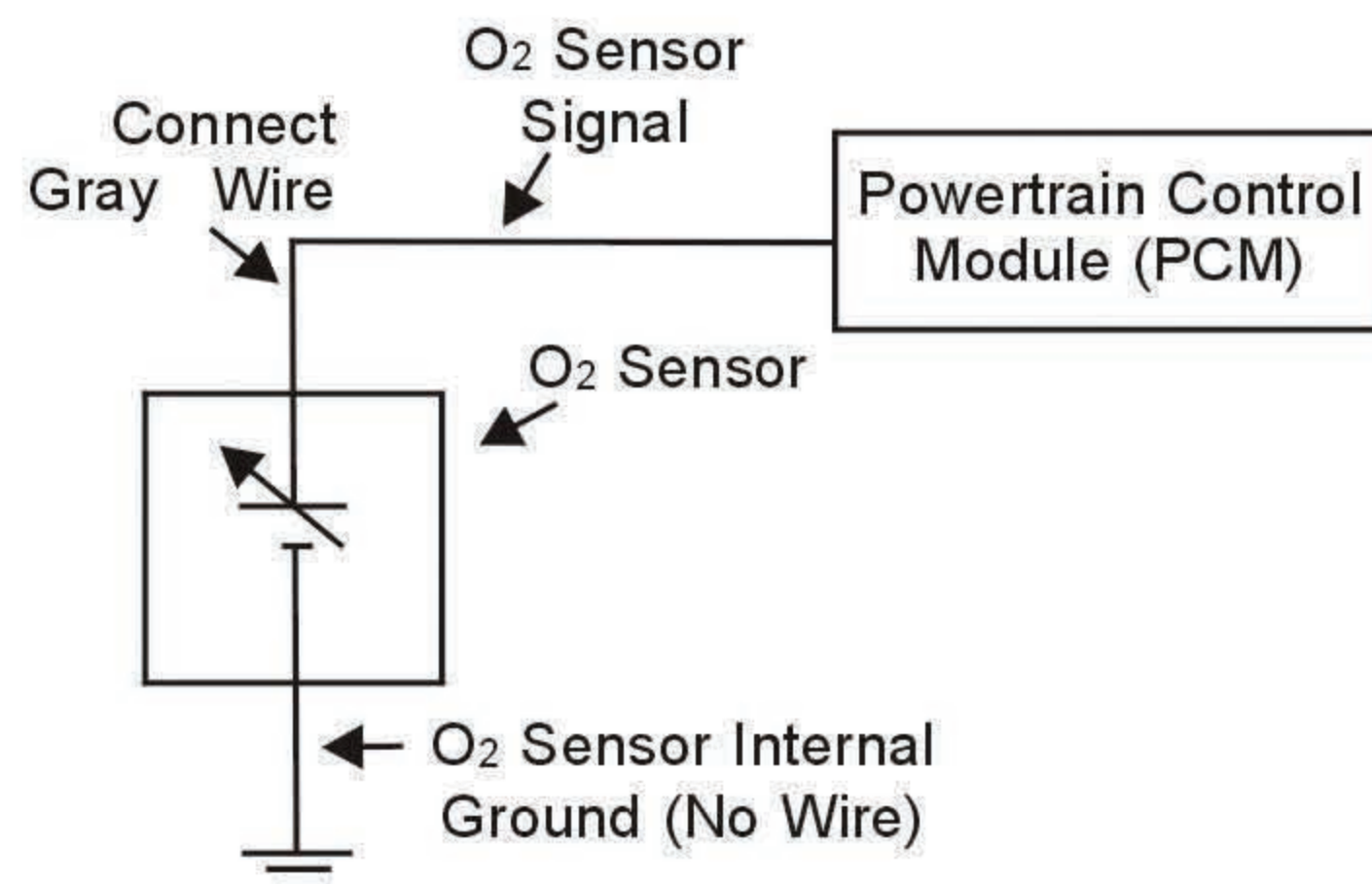
Do not connect ohm meter to oxygen sensor, or touch wire to ground or power. Damage to oxygen sensor will result. If a volt meter is to be used, only use a high impedance (10 mega ohm or higher) digital multimeter.

NOTE: Do not disconnect wire to the computer.

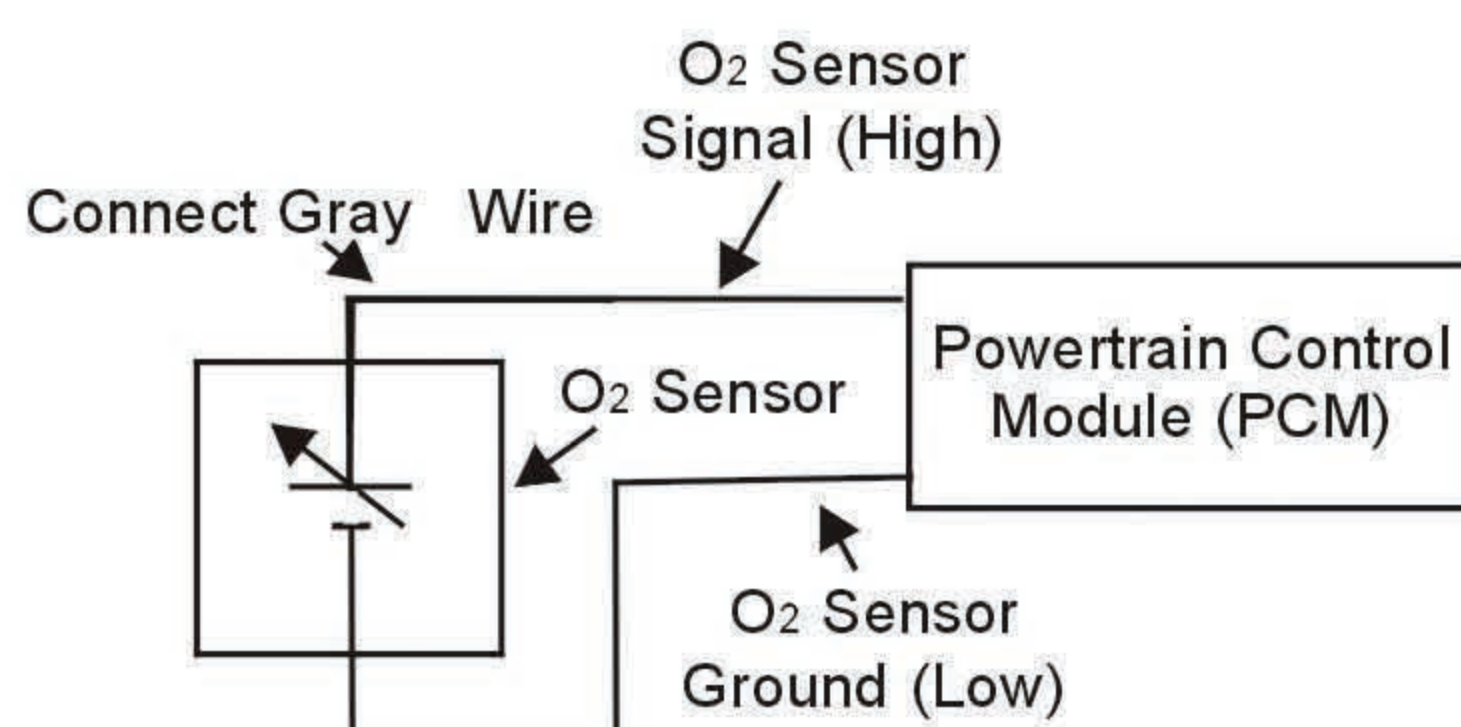
### Non-Heated Oxygen Sensors

These sensors rely on the hot exhaust gases to bring them to operating temperature. This may take several minutes and may even cool off when engine is idling. These sensors have 1 or 2 wires. On 2 wire sensors, one wire is ground and the other is the signal. Check with vehicle manufacturer or wiring diagram for your specific vehicle to learn which wire is the signal.

#### 1 Wire Sensor



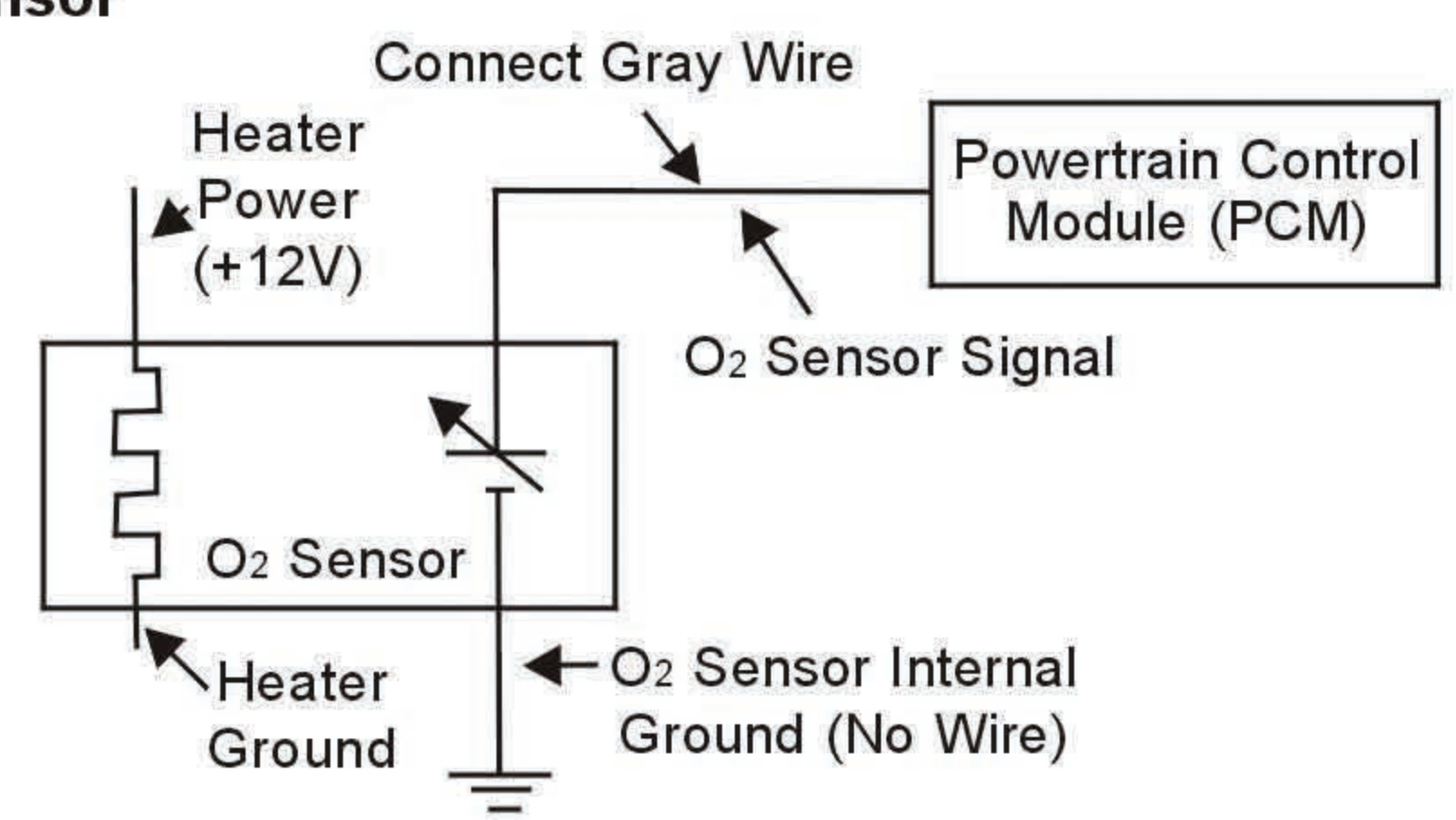
#### 2 Wire Sensor



### Heated Oxygen Sensors

These sensors have an electrical resistance heater built in to them and will come to operating temperature usually within 1 minute. These sensors have 3 or 4 wires, check with vehicle manufacturer, or wiring diagram for your specific vehicle to learn which wire is the signal.

#### 3 Wire Sensor



#### 4 Wire Sensor

