

## ELECTRICAL GAUGES

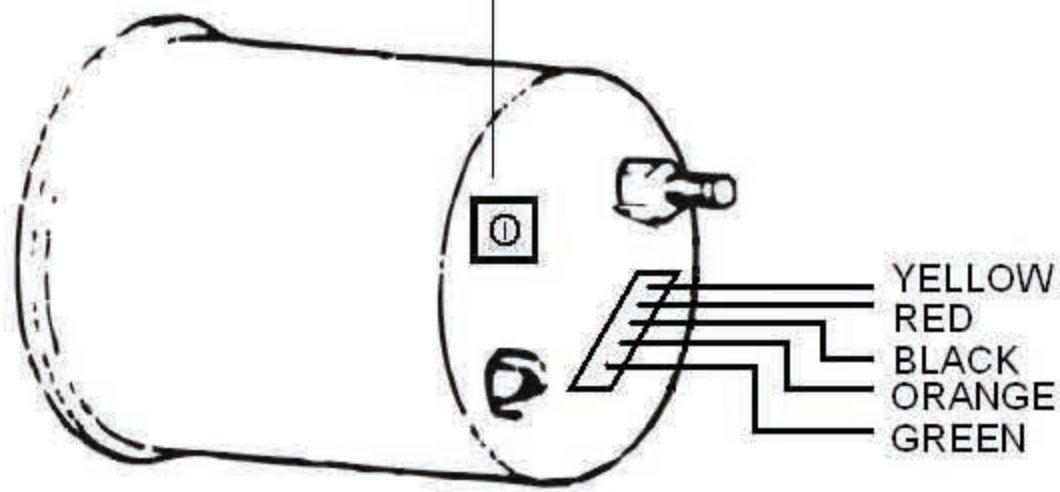
SMOKE LENS SERIES SUPER WHITE LED DISPLAY

### Tachometer

### OPENING CEREMONY

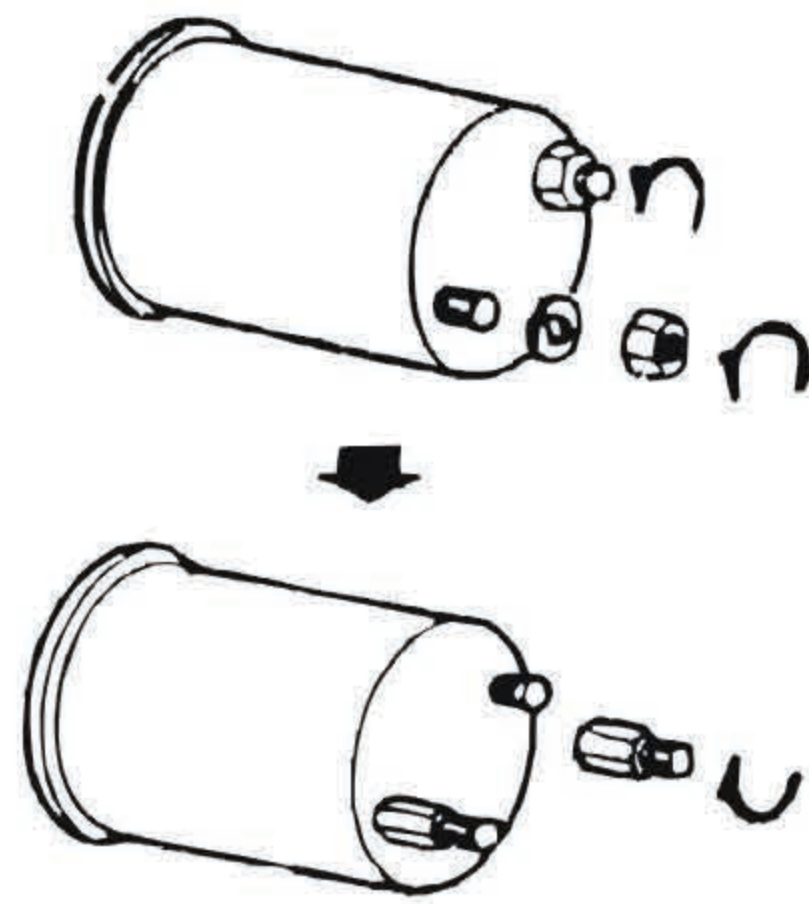
1

CYLINDER SELECTION SWITCH

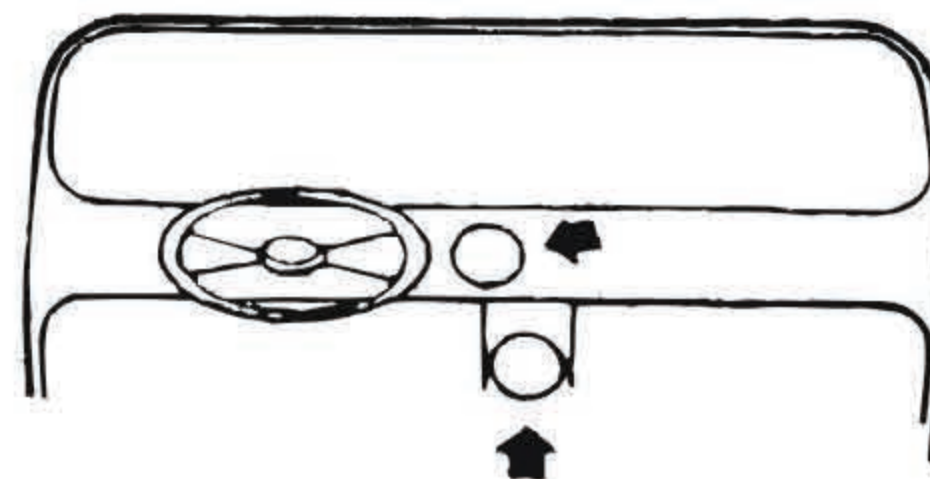


- YELLOW - BATTERY (+)
- RED - TO IGNITION SWITCH 12V(+)
- BLACK - BATTERY (-)
- GREEN - ON STANDARD IGNITION GREEN WIRE ATTACHES TO COIL NEGATIVE(-)
- ORANGE - DIMMER/+12 VOLTS TO DIM CONNECT TO HEADLIGHT TO ACTIVATE

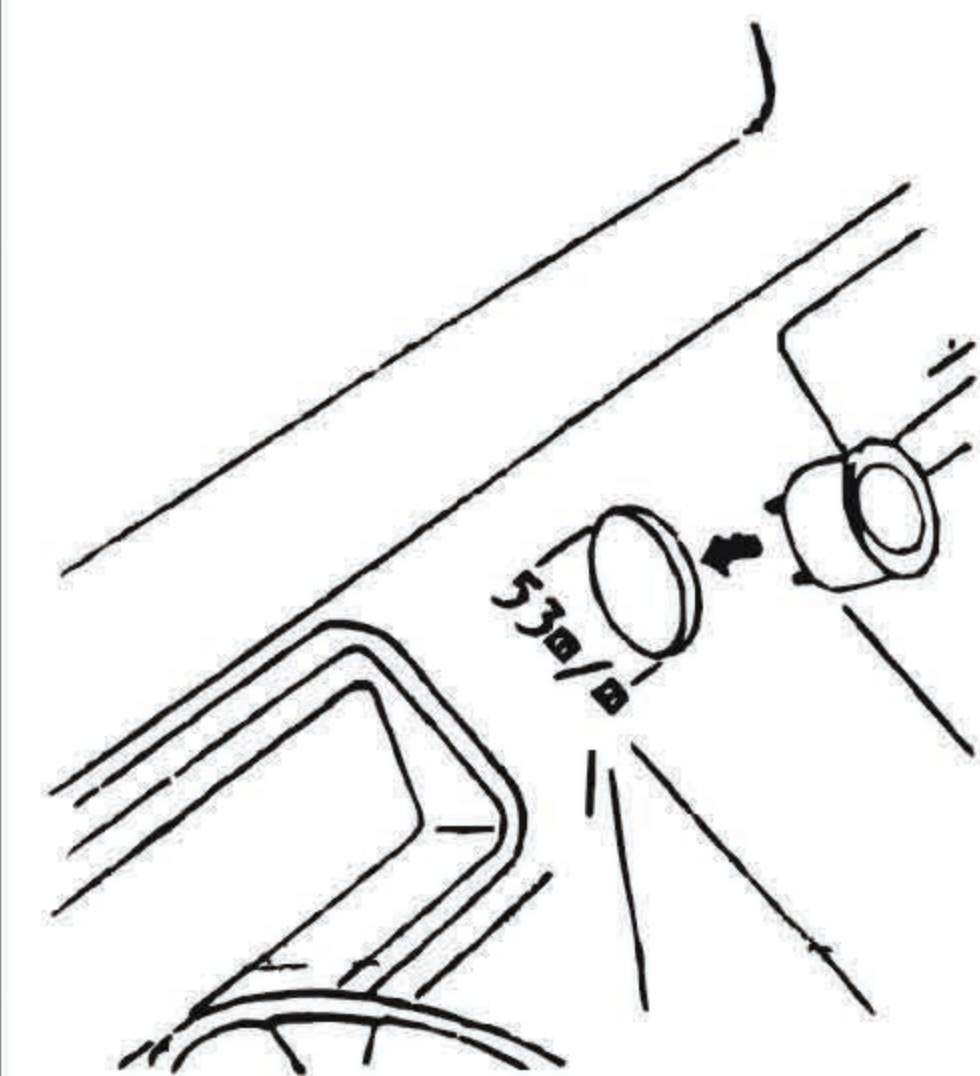
2



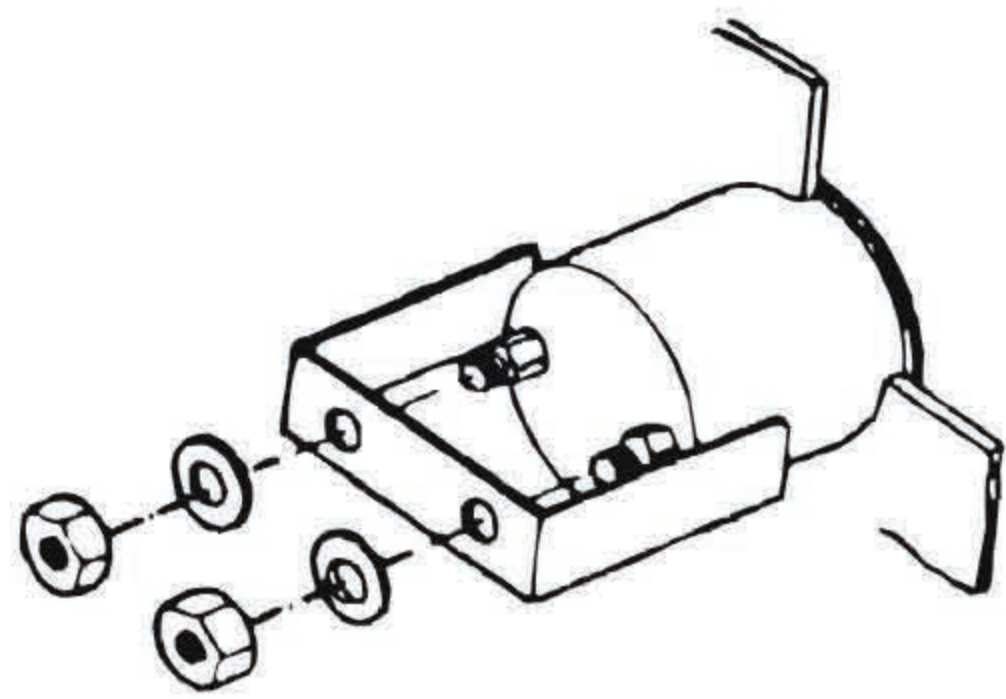
3



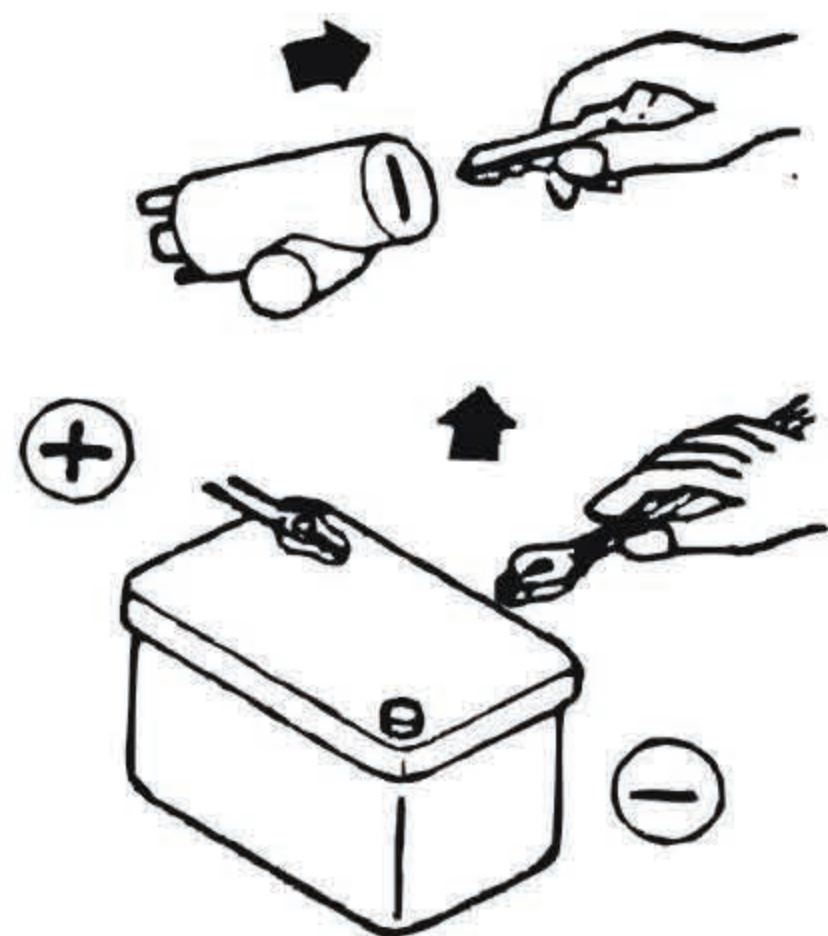
4



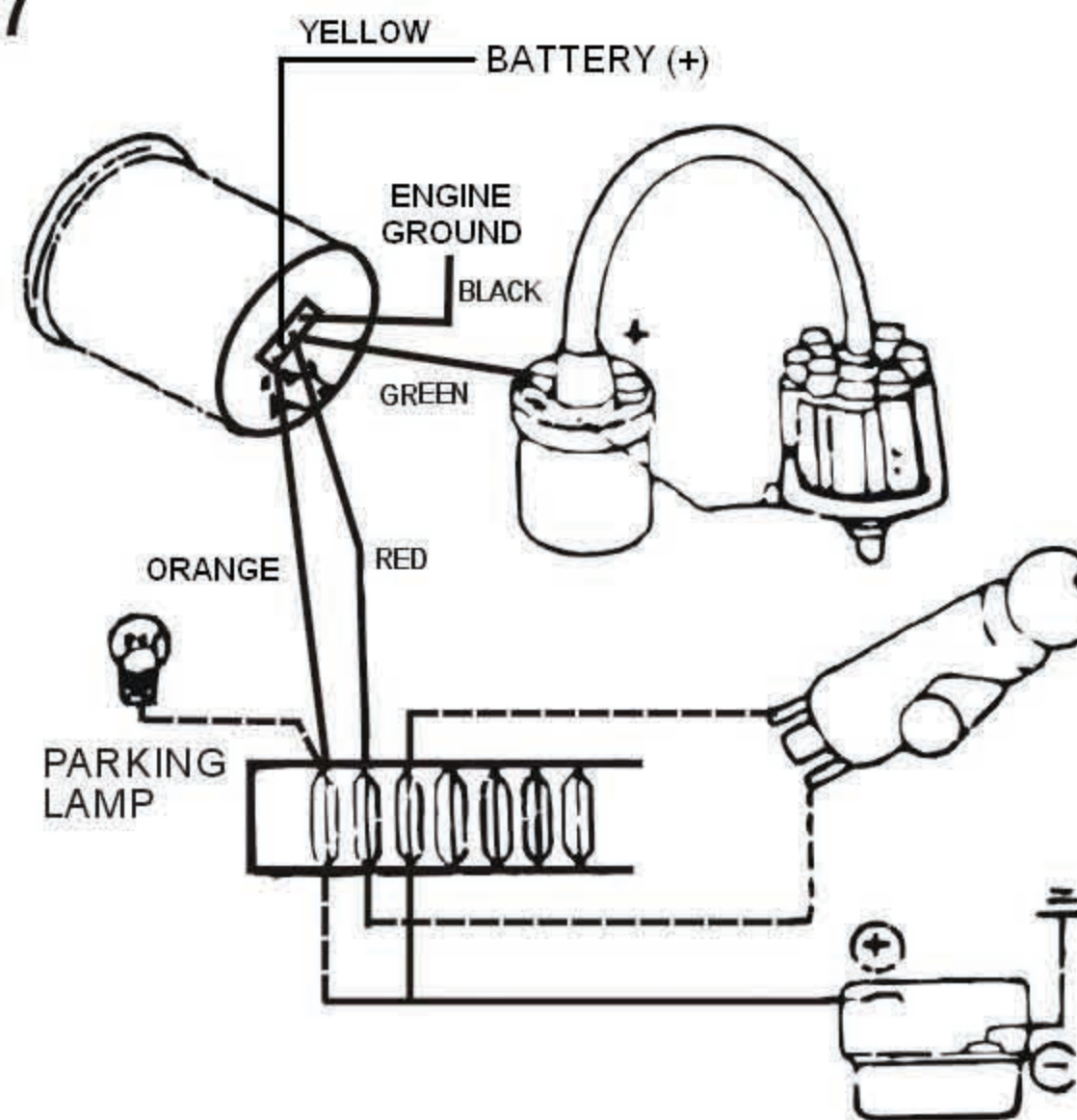
5



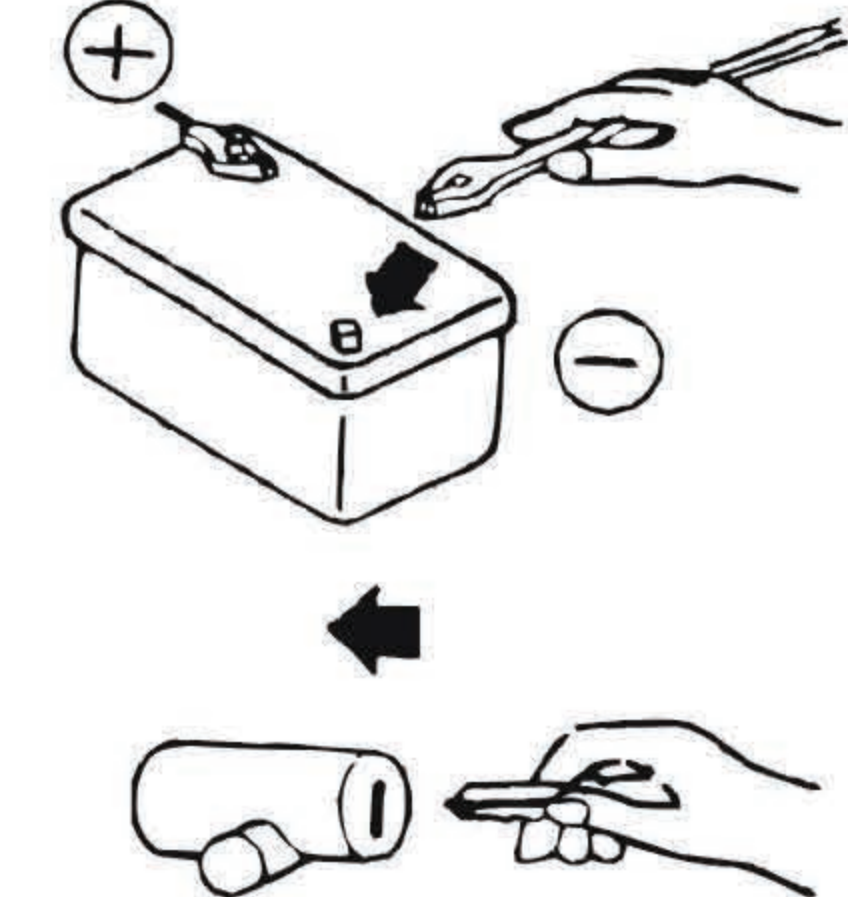
6



7



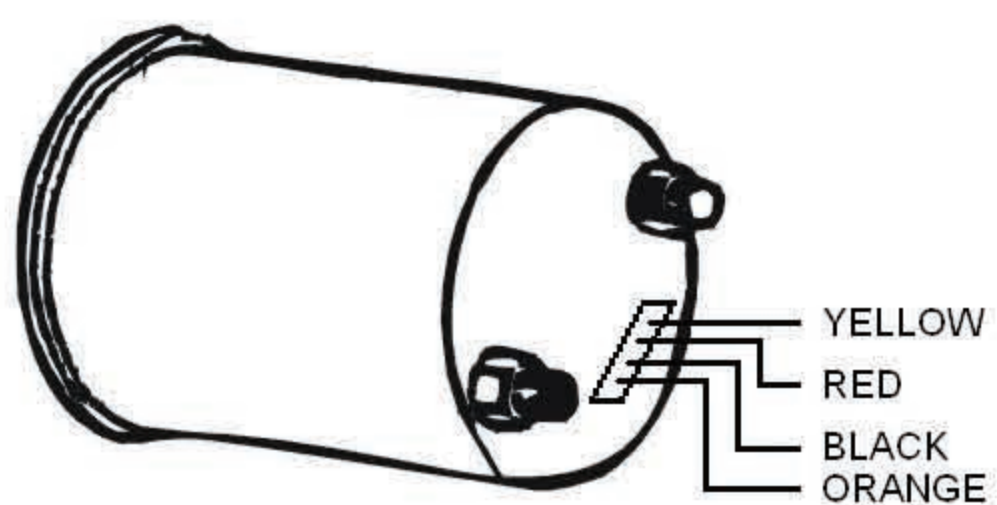
8



### Voltmeter

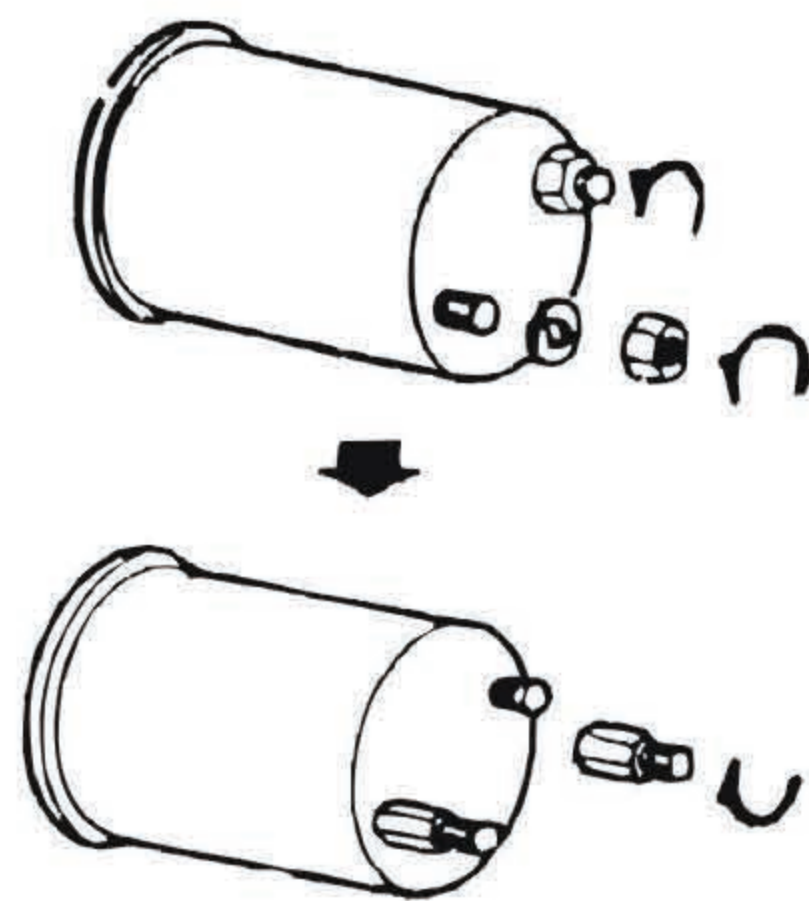
### OPENING CEREMONY

1

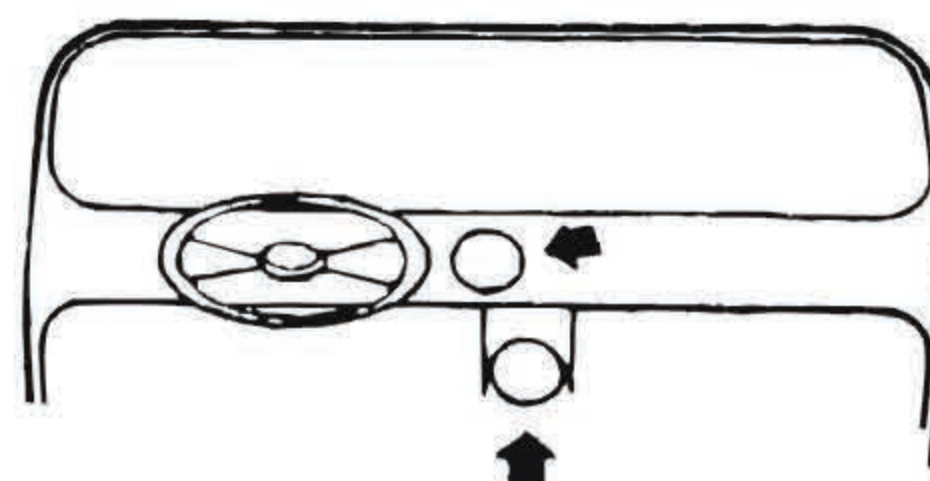


- YELLOW - BATTERY (+)
- RED - TO IGNITION SWITCH 12V(+)
- BLACK - BATTERY (-)
- ORANGE - DIMMER/(+)12 VOLTS TO DIM CONNECT TO HEADLIGHT TO ACTIVATE

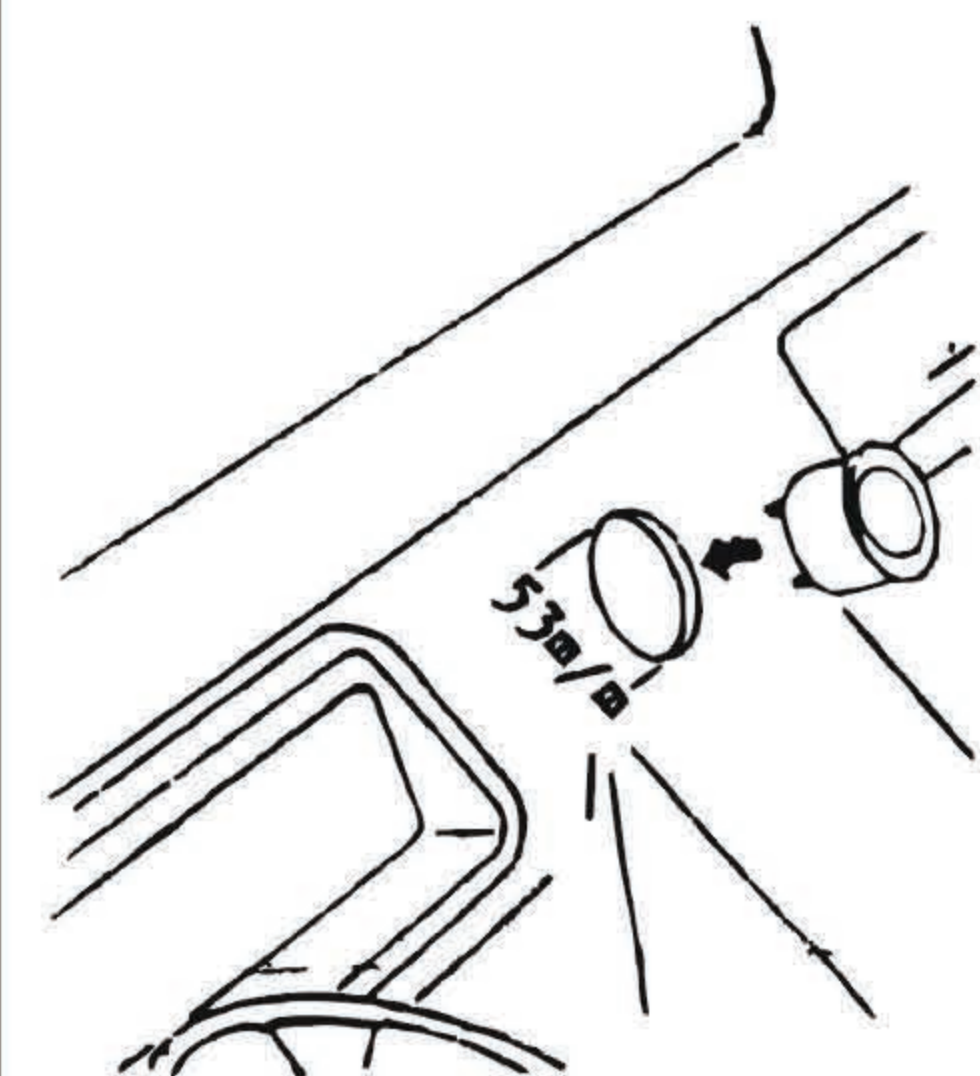
2



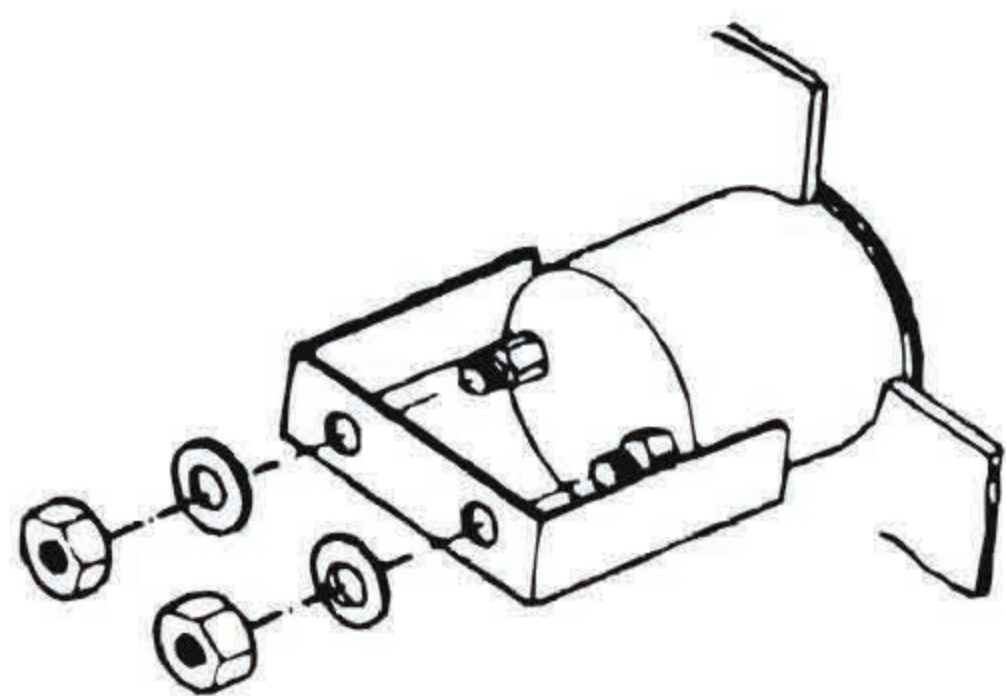
3



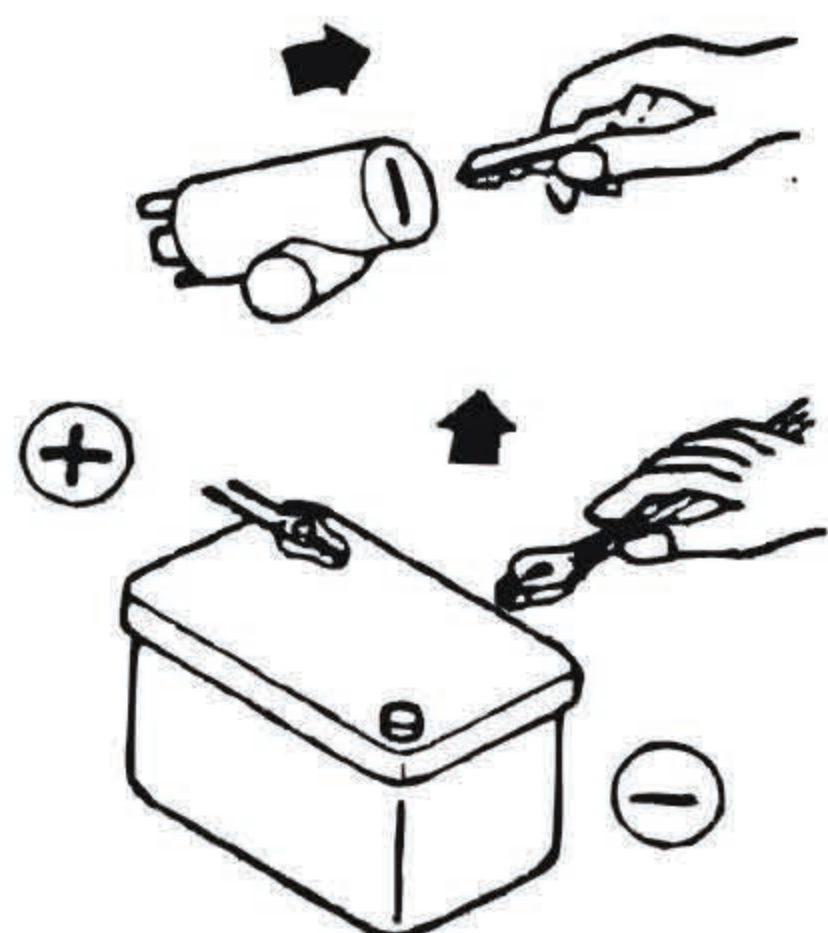
4



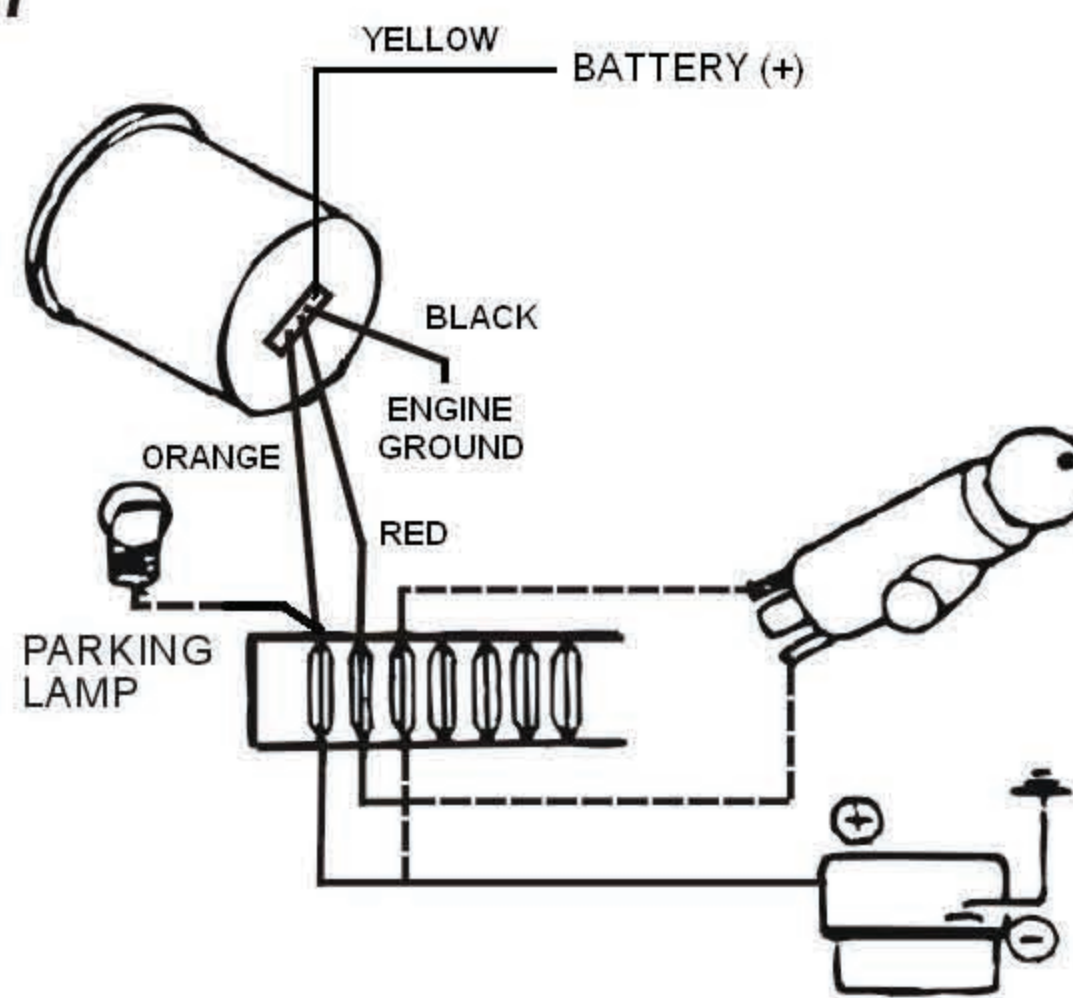
5



6



7



8

